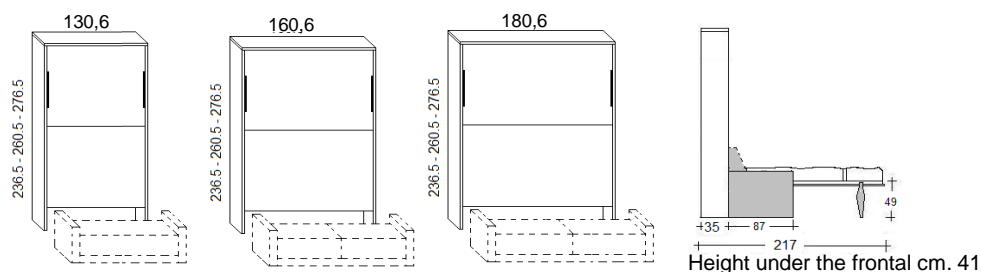


CITY COMFORT

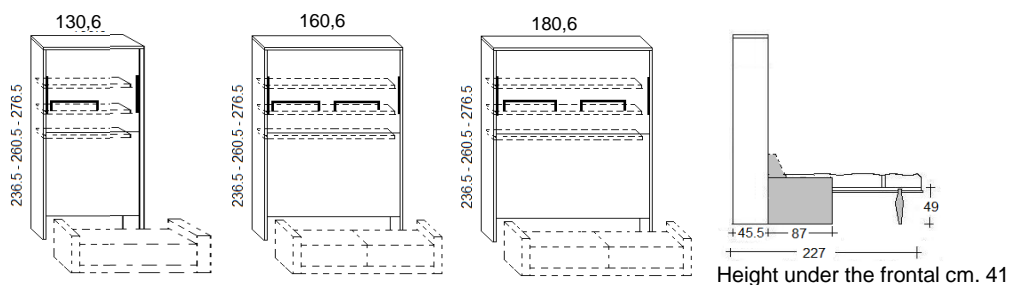
DEPTH cm. 35

OPTIONAL:
Led light - Mattress
Headboard - Electric opening



DEPTH cm. 45,5

OPTIONAL:
Led light - Mattress
Headboard - Electric opening



TECHNICAL INFORMATIONS

- 1 - Frame** Panel of wood agglomerate in conformity with CARB II, veneered with laminate, wood or lacquered colours. Thickness mm.38 - Sides of the frame have adjustable feet.
- 2 - Frontal** Panel of wood agglomerate in conformity with CARB II, veneered with laminate, wood or lacquered colours. Thickness mm.22
- 3 - Back panel** Thickness mm.22. Standard finishes in laminate.
- Mattress** Availability of any type. The recommended dimensions are cm. 110/140/160x200x18h.
- Slatted bed base** Slatted bed base made of wood, with elastic stripe that help the distribution of the weight. The tubular iron frame is painted with a oven anti-rust epoxy paint.

WARNING

**Before the bed opening is mandatory fix it to the wall with specific wall bolt.

The fixing at plasterboard wall cannot guarantee the safety.

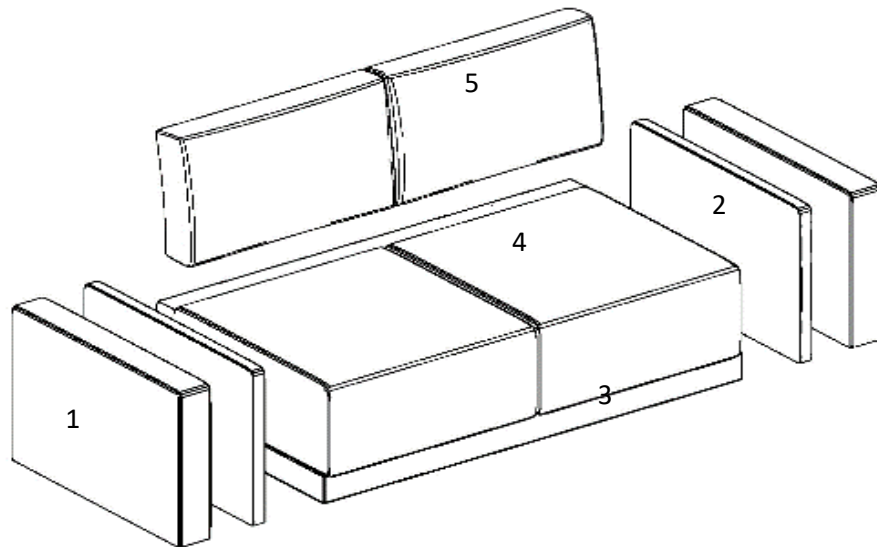
**The installer has to check the installation and the wall fixing before leave the bed to the customer use.

We suggest also to check the fixing to the wall regularly.

**Max capacity of the bed is kg. 200

**Assembly instructions are provided with the delivery.

JAZZ SOFA



- 1 - Arm:** Solid wood frame, cover with foam and dacron. Finish with a removable fabric cover
- 2- Thin arm :** Solid wood frame, cover with foam and dacron. Finish with a removable fabric cover
- 3 - Sofa frame** solid wood frame with elastic bands of 5 cm., upholsteres with foam. Finish with a removable fabric cover.
- 4 - Seat pillow:** Pillows in polyurethane foam of different densities and removable fabric covers. On top of the seatswe can have a feather or memory foam insert
- 5 - Back pillows:** Pillows with feather with removable fabric cover.

JAZZ is a sectional sofa that can be made in differents solutions

