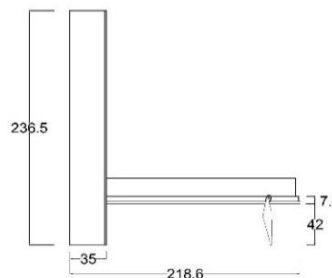
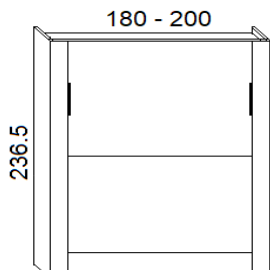
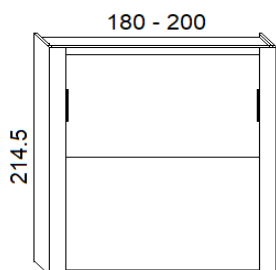


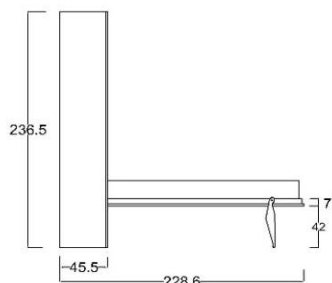
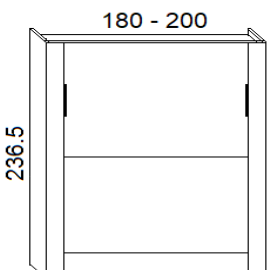
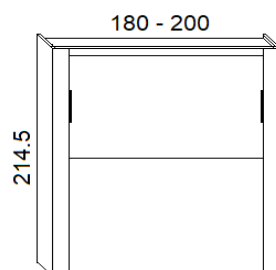
## HOLIDAY

### DEPTH cm. 35

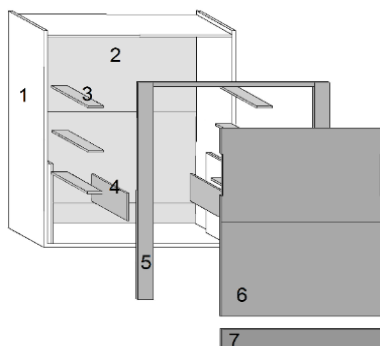


**OPTIONAL:**  
Led lights - Mattress  
Headboard -  
Electric opening

### DEPTH cm. 45,5



**OPTIONAL:**  
Led lights - Mattress  
Headboard -  
Electric opening



### TECHNICAL INFORMATIONS

- 1 - Frame** Panel of wood agglomerate in conformity with CARB II, veneered with laminate, wood or lacquered colours. Thickness mm.38 - Sides of the frame have adjustable feet.
- 2 - Back panel** Thickness mm.22. Standard finishes in laminate.
- 3 - Internal shelves** Panel of wood agglomerate in conformity with CARB II, veneered with laminate, wood or lacquered colours. Thickness mm.22
- 4 - Cover panel** Panel of wood agglomerate in conformity with CARB II, veneered with laminate, wood or lacquered colours. Thickness mm.22
- 5/6 - Frontals** Panel of wood agglomerate in conformity with CARB II, veneered with laminate, wood or lacquered colours. Thickness mm.22
- 7 - Fix band** Panel of wood agglomerate in conformity with CARB II, veneered with laminate, wood or lacquered colours. Thickness mm.22

#### Mattress

Availability of any type. The recommended dimensions are cm.140/160x200x18h.

#### Slatted bed base

Slatted bed base made of wood, with elastic stripe that help the distribution of the weight.

The tubular iron frame is painted with a oven anti-rust epoxy paint.

### WARNING

\*\*Before the bed opening is mandatory fix it to the wall with specific wall bolt.

The fixing at plasterboard wall cannot guarantee the safety.

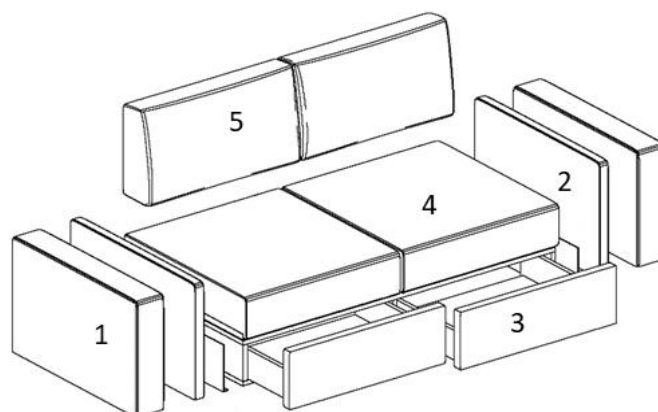
\*\*The installer has to check the installation and the wall fixing before leave the bed to the customer use.

We suggest also to check the fixing to the wall regularly.

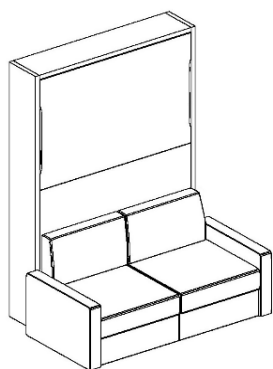
\*\*Max capacity of the bed is kg. 200

\*\*Assembly instructions are provided with the delivery.

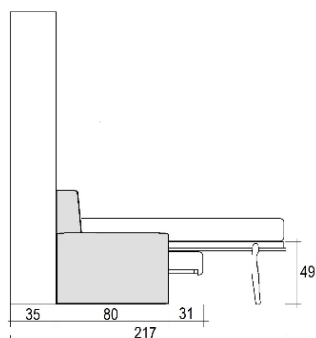
## SLIDE SOFA



- 1 - Arm: wood frame, foam and dacron. Removable cover in fabric.
- 2- Thin arm: wood frame, foam and dacron. Removable cover in fabric.
- 3 - Drawers
- 4 - Seat : metal frame with elastic band cm 5, polyurethane foam and removable cover.
- 5 - Back pillows: made with foam with panel frame, and removable cover in fabric.

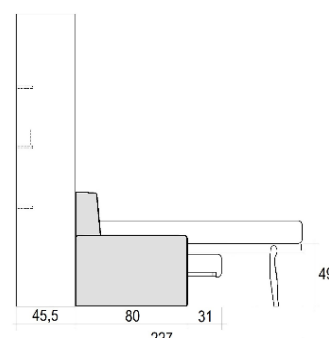


Depth cm. 35

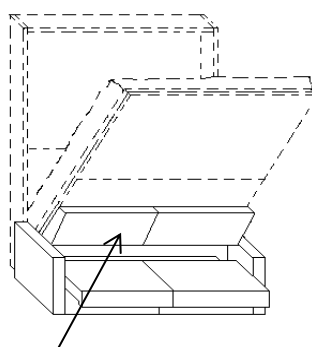
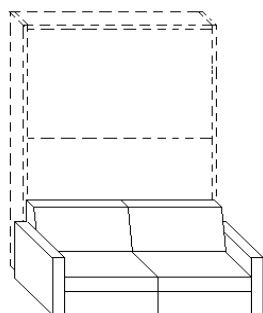


Height under the frontal cm.41

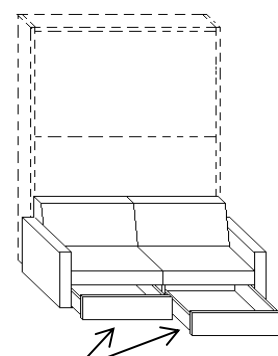
Depth cm. 45,5



Height under the frontal cm.41



The solution with SLIDE sofa allow to open and close the bed even if it is vertical or horizontal without remove the back cushions.



The solution with SLIDE sofa allow also to have two drawers under the sofa seat. In this way we don't loose extra space.