

CITY

Bed with VERTICAL opening.

OPTIONAL: Led lights - Mattress - Headboard - Electric opening - Desk

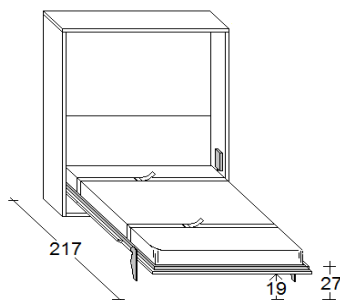
DEPTH cm. 35

Available Widths cm. 107,6 - 130,6 - 160,6 - 180,6

LOWER FEET

Available heights cm.

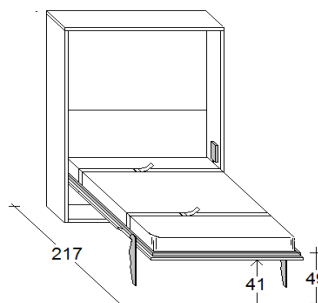
h. 214,5
h. 236,5
h. 260,5
h. 276,5



HIGHER FEET

Available heights cm.

h. 236,5
h. 260,5
h. 276,5



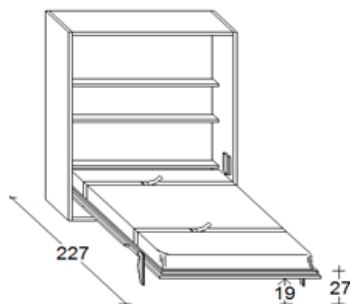
DEPTH cm. 45,5

Available Widths cm. 107,6 - 130,6 - 160,6 - 180,6

LOWER FEET

Available heights cm.

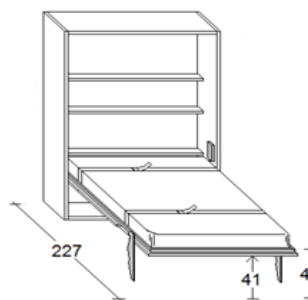
h. 214,5
h. 236,5
h. 260,5
h. 276,5



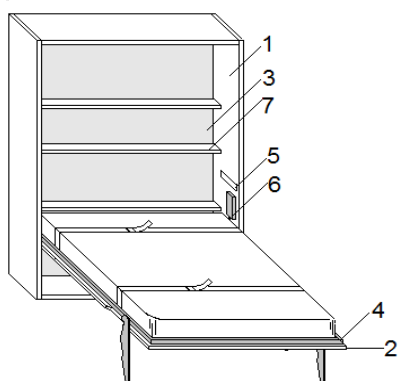
HIGHER FEET

Available heights cm.

h. 236,5
h. 260,5
h. 276,5



TECHNICAL INFORMATION



1 - Frame

Panel of wood agglomerate in conformity with CARB II, veneered with laminate, wood or lacquered colours.

Thickness mm.38 - Sides of the frame have adjustable feet.

2 - Frontals

Panel of wood agglomerate in conformity with CARB II, veneered with laminate, wood or lacquered colours. Thickness mm.22

3 - Back panel

Panel of wood agglomerate in conformity with CARB II, veneered with laminate, wood or lacquered colours. Thickness mm.22

4 - Slatted bed base

Slatted bed base made of wood, with elastics stripe that help the distribution of the weight. The tubular iron frame is painted with a oven anti-rust epoxy paint.

5 - Led light

Dimmable Led Light with touch switch or wireless remote

6 - Pistons cover

Plastic or metal cover for the pistons

7 - Internal shelves

Panel of wood agglomerate in conformity with CARB II, veneered with laminate, wood or lacquered colours. Thickness mm.38

(*ONLY FOR DEPTH 45,5)

Mattress

Availability of any type. The recommended dimensions are cm.110/140/160x200x18h.

WARNING

**Before the bed opening is mandatory fix it to the wall with specific wall bolt.

The fixing at plasterboard wall cannot guarantee the safety.

**The installer has to check the installation and the wall fixing before leave the bed to the customer use.

We suggest also to check the fixing to the wall regularly.

**Max capacity of the bed is kg. 200

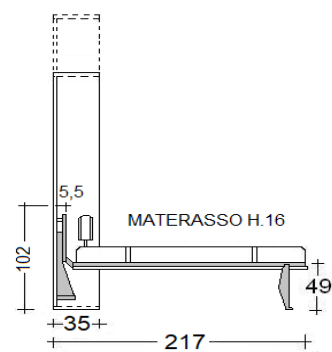
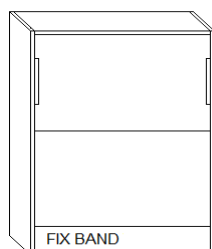
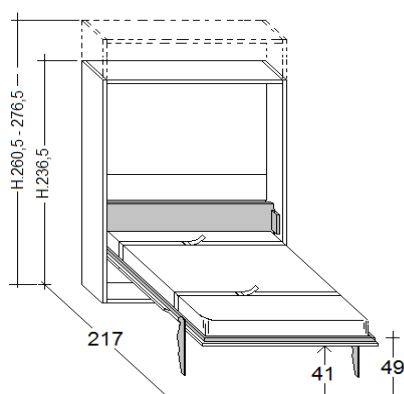
**Assembly instructions are provided with the delivery.

CITY - Electric Version

DEPTH cm. 35

Available widths cm. 107,6 - 130,6 - 160,6 - 180,6

Available Heights cm. 236,5 - 260,5 - 276,5

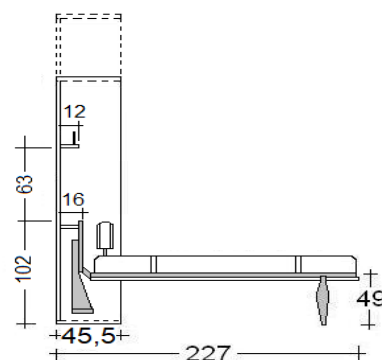
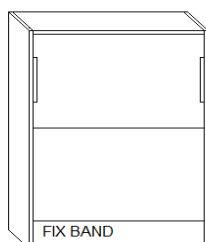
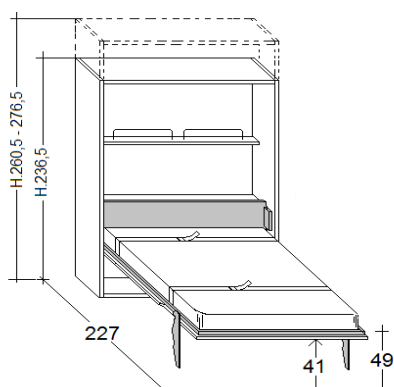


Height under the frontal cm. 41

DEPTH cm. 45,5

Available widths cm. 107,6 - 130,6 - 160,6 - 180,6

Available heights cm. 236,5 - 260,5 - 276,5



Height under the frontal cm. 41

With the electric opening it is NOT possible have the drawers under the bed.
Instead of the drawers there will be a fix band.

WARNING

* the electric version accept a mattress max 16 cm of height.