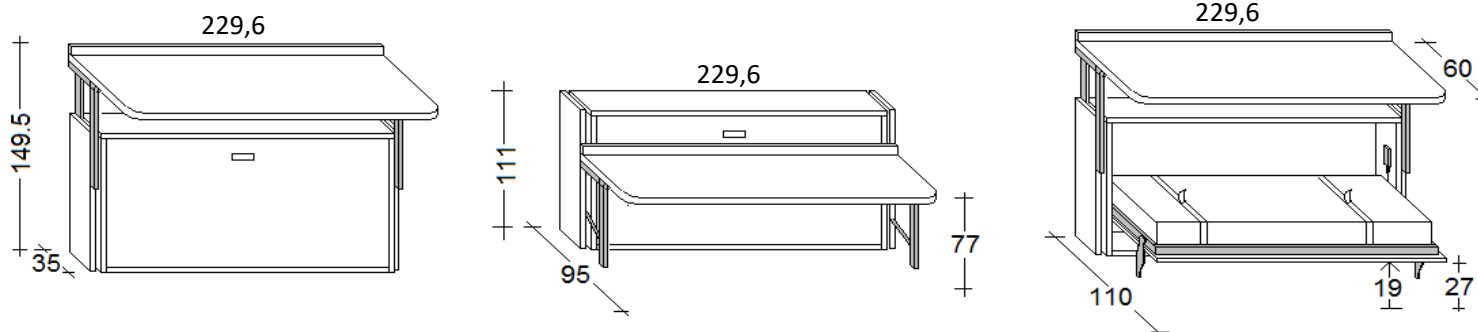


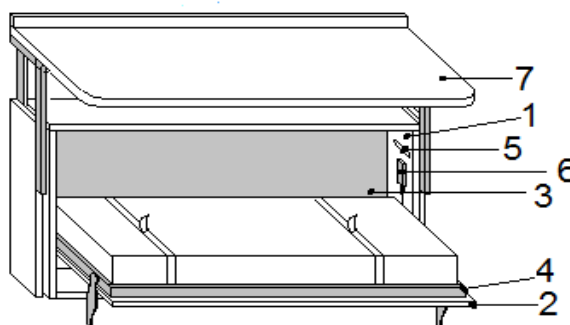
## OPLA'

Bed with HORIZONTAL opening and DESK.  
**OPTIONAL:** Led lights - Mattress - Headboard - wall cabinet

### DIMENSIONS



### TECHNICAL INFORMATION



- |                             |  |
|-----------------------------|--|
| <b>1 - Frame</b>            | Panel of wood agglomerate in conformity with CARB II, veneered with laminate, wood or lacquered colours.<br>Thickness mm.38 - Sides of the frame have adjustable feet. |
| <b>2 - Frontals</b>         | Panel of wood agglomerate in conformity with CARB II, veneered with laminate, wood or lacquered colours. Thickness mm.22   |
| <b>3 - Back panel</b>       | Panel of wood agglomerate in conformity with CARB II, veneered with laminate, wood or lacquered colours. Thickness mm.22   |
| <b>4 - Slatted bed base</b> | Slatted bed base made of wood, with elastics stripe that help the distribution of the weight. The tubular iron frame is painted with a oven anti-rust epoxy paint.     |
| <b>5 - Led light</b>        | Dimmable Led Light with touch switch or wireless remote  |
| <b>6 - Pistons cover</b>    | Plastic or metal cover for the pistons   |
| <b>7 - Oplà desk</b>        | Panel of wood agglomerate in conformity with CARB II, veneered with laminate, wood or lacquered colours. Thickness mm.38   |

**Mattress** Availability of any type. The recommended dimensions are cm.90x200x18h.

### WARNING

- \*\*Before the bed opening is mandatory fix it to the wall with specific wall bolt.  
The fixing at plasterboard wall cannot guarantee the safety.
- \*\*The installer has to check the installation and the wall fixing before leave the bed to the customer use.  
We suggest also to check the fixing to the wall regularly.
- \*\*Max capacity of the bed is kg. 200
- \*\*Assembly instructions are provided with the delivery.