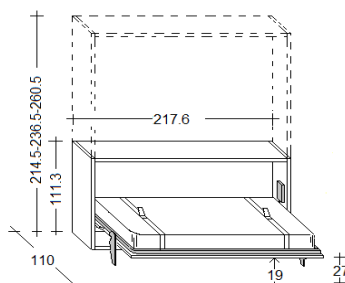


FLAP

Single bed with HORIZONTAL opening.
OPTIONAL: Led lights - Mattress - Headboard - Desk

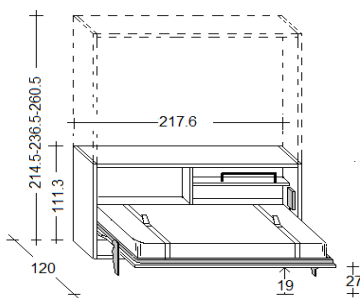
DEPTH cm. 35

SINGLE SIZE
 cm. 217,6x35x111,3h.

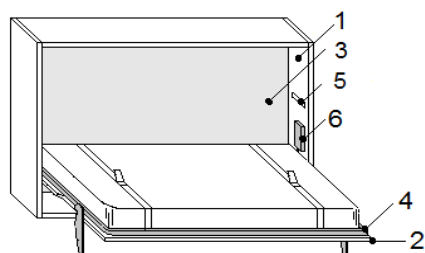


DEPTH cm. 45,5

SINGLE SIZE
 cm. 217,6x45,5x111,3h.



TECHNICAL INFORMATION



- 1 - Frame** Panel of wood agglomerate in conformity with CARB II, veneered with laminate, wood or lacquered colours. Thickness mm.38 - Sides of the frame have adjustable feet.
- 2 - Frontals** Panel of wood agglomerate in conformity with CARB II, veneered with laminate, wood or lacquered colours. Thickness mm.22
- 3 - Back panel** Panel of wood agglomerate in conformity with CARB II, veneered with laminate, wood or lacquered colours. Thickness mm.22
- 4 - Slatted bed base** Slatted bed base made of wood, with elastics stripe that help the distribution of the weight. The tubular iron frame is painted with a oven anti-rust epoxy paint.
- 5 - Led light** Dimmable Led Light with touch switch or wireless remote
- 6 - Pistons cover** Plastic or metal cover for the pistons
- 7 - Internal shelves** Panel of wood agglomerate in conformity with CARB II, veneered with laminate, wood or lacquered colours. Thickness mm.38

Mattress

Availability of any type. The recommended dimensions are cm.90x200x18h.

WARNING

**Before the bed opening is mandatory fix it to the wall with specific wall bolt.

The fixing at plasterboard wall cannot guarantee the safety.

**The installer has to check the installation and the wall fixing before leave the bed to the customer use.

We suggest also to check the fixing to the wall regularly.

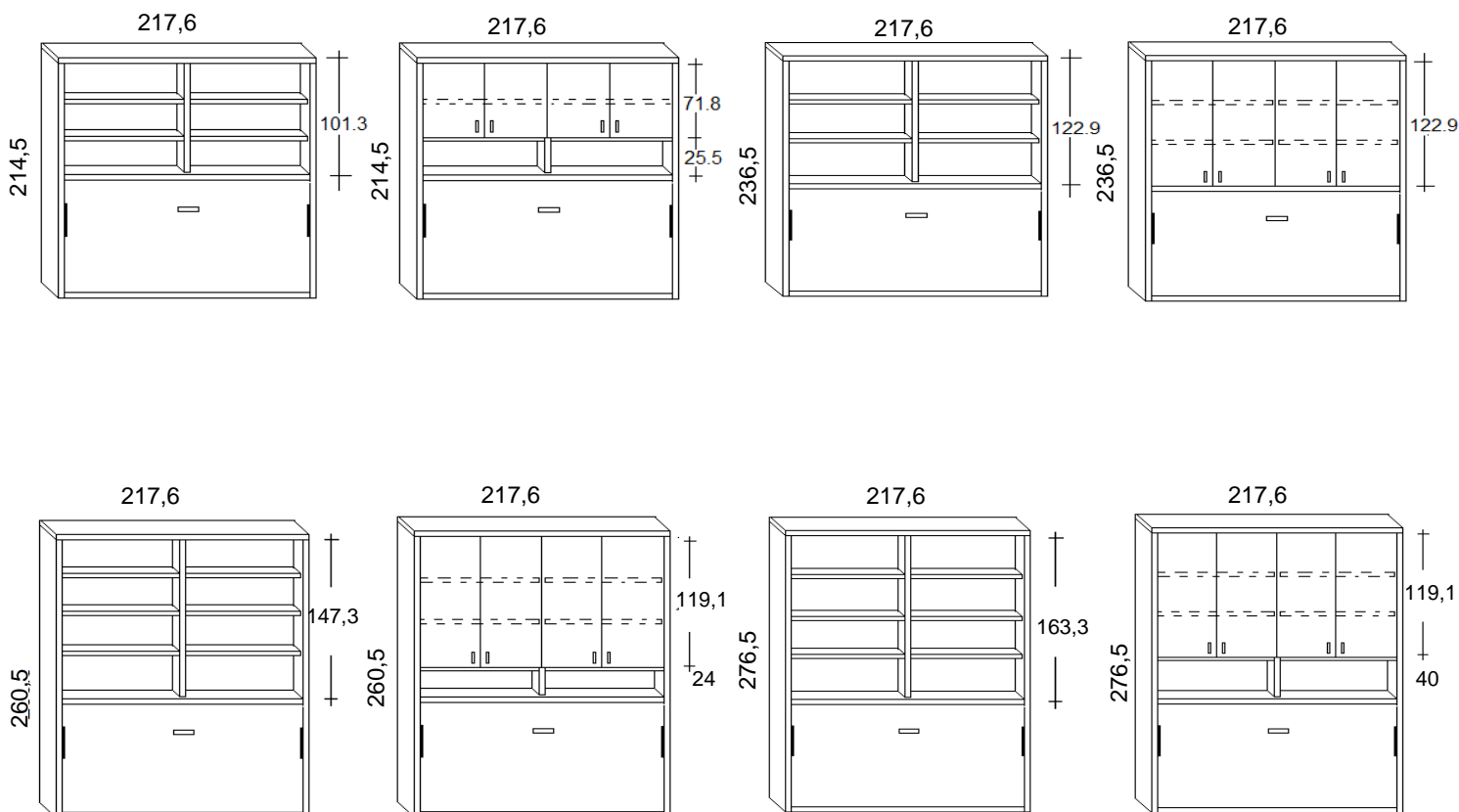
**Max capacity of the bed is kg. 200

**Assembly instructions are provided with the delivery.

FLAP WITH CABINET AND BOOKCASE

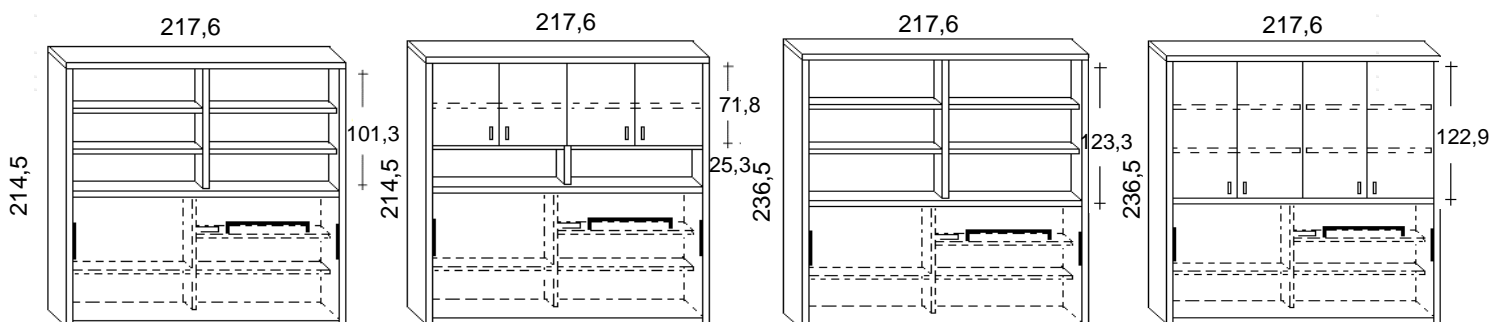
DEPTH 35 CM.

SINGLE SIZE (mattress size 90x200x18h.)



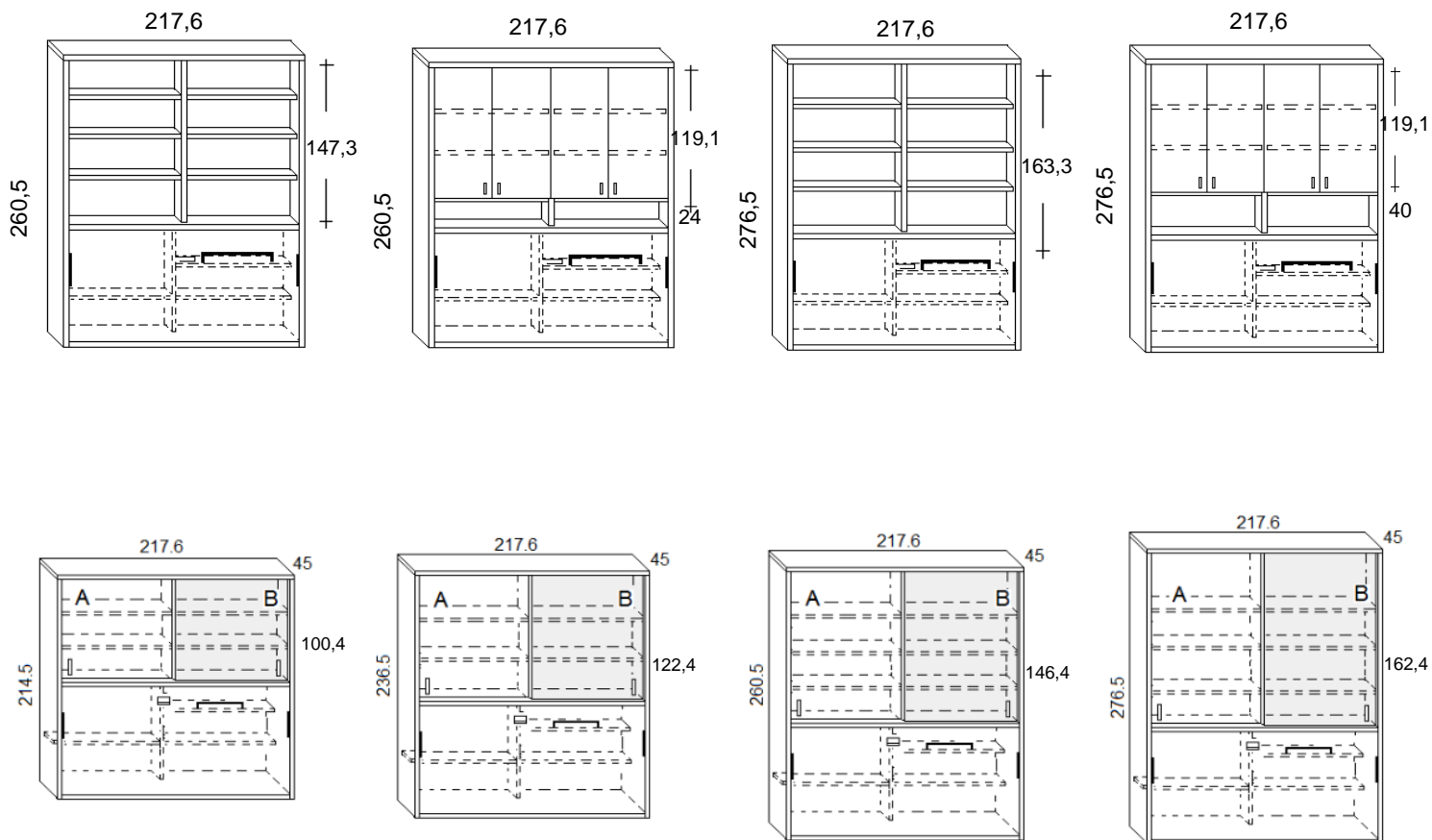
DEPTH 45,5 CM.

SINGLE SIZE (mattress size 90x200x18h.)



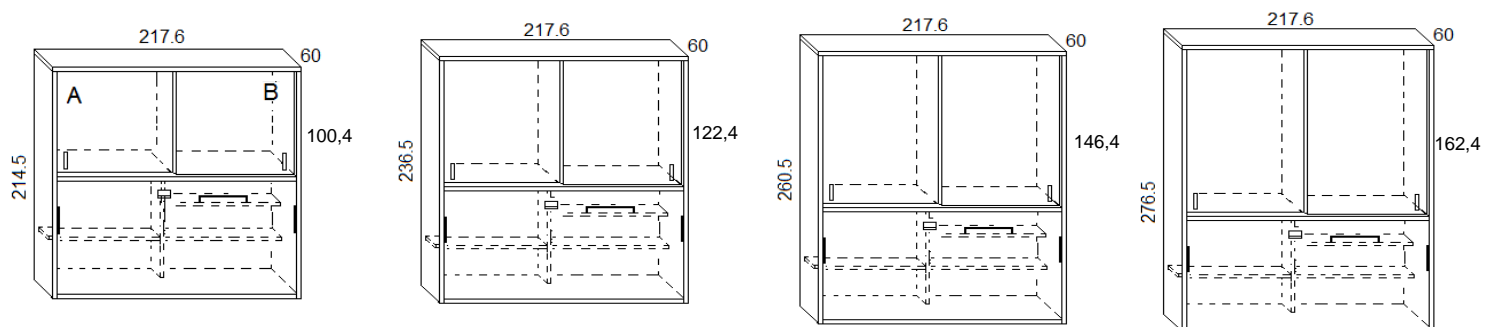
DEPTH 45,5 CM.

SINGLE SIZE (mattress size 90x200x18h.)

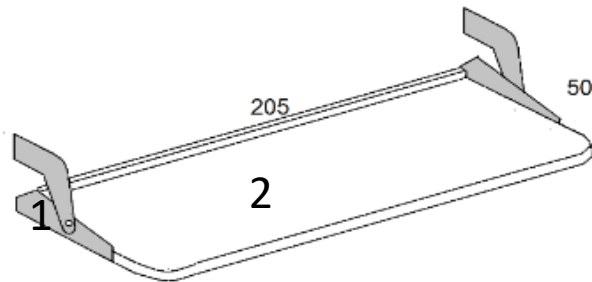


DEPTH 60 CM.

SINGLE SIZE (mattress size 90x200x18h.)



VOILA' DESK



*Desk W.205 cm

made for the horizontal bed in SINGLE/TWIN and BUNK BED VERSION

1 - Patented System: Mechanism with metal plate, painted in oven with anti-rust epoxy paint. Alluminum color.

2- Desk Top: Panel of wood agglomerate in conformity with CARB II, veneered with laminate, wood or lacquered colours. Thickness mm.38