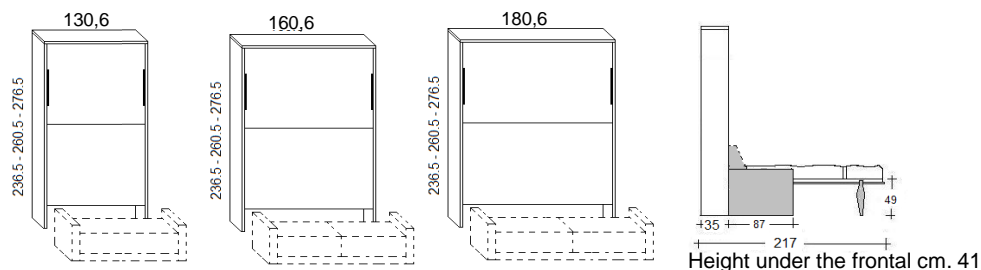


## CITY COMFORT

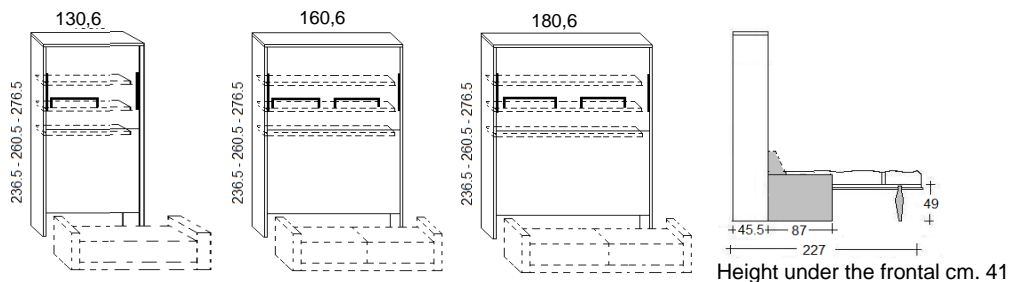
### DEPTH cm. 35

**OPTIONAL:**  
Led light - Mattress  
Headboard - Electric opening



### DEPTH cm. 45,5

**OPTIONAL:**  
Led light - Mattress  
Headboard - Electric opening



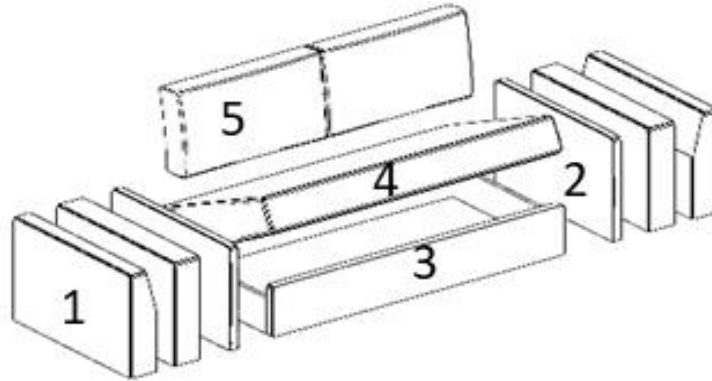
## TECHNICAL INFORMATIONS

- 1 - Frame** Panel of wood agglomerate in conformity with CARB II, veneered with laminate, wood or lacquered colours. Thickness mm.38 - Sides of the frame have adjustable feet.
- 2 - Frontal** Panel of wood agglomerate in conformity with CARB II, veneered with laminate, wood or lacquered colours. Thickness mm.22
- 3 - Back panel** Thickness mm.22. Standard finishes in laminate.
- Mattress** Availability of any type. The recommended dimensions are cm. 110/140/160x200x18h.
- Slatted bed base** Slatted bed base made of wood, with elastic stripe that help the distribution of the weight. The tubular iron frame is painted with a oven anti-rust epoxy paint.

## WARNING

- \*\*Before the bed opening is mandatory fix it to the wall with specific wall bolt. The fixing at plasterboard wall cannot guarantee the safety.
- \*\*The installer has to check the installation and the wall fixing before leave the bed to the customer use. We suggest also to check the fixing to the wall regularly.
- \*\*Max capacity of the bed is kg. 200
- \*\*Assembly instructions are provided with the delivery.

## STORAGE SOFA



- 1 - **Arm:** wood frame, foam and dacron. Removable cover in fabric.
- 2- **Thin arm:** wood frame, foam and dacron. Removable cover in fabric.
- 3 - **Storage:** frame in white laminate, polyurethane foam and removable cover.
- 4 - **Seat:** metal frame with elastic band cm 5, polyurethane foam and removable cover.
- 5 - **Back pillows:** feathers pillows with removable cover

STORAGE is a sectional sofa with containment space under the seat.

