

FLAP BUNK BED

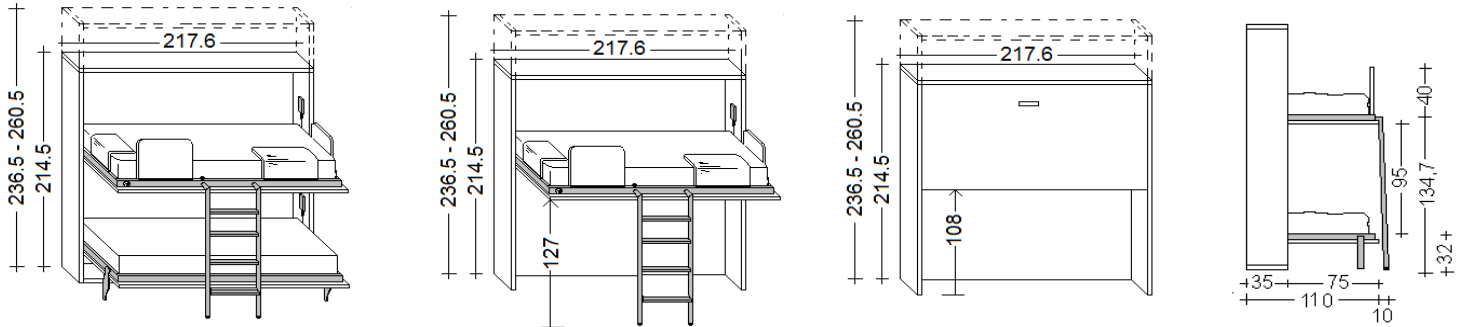
Bunk bed mod. Flap with HORIZONTAL OPENING

The bed are free from each other and it is possible open also only one bed if needed. The ladder is the support for the upper bed.

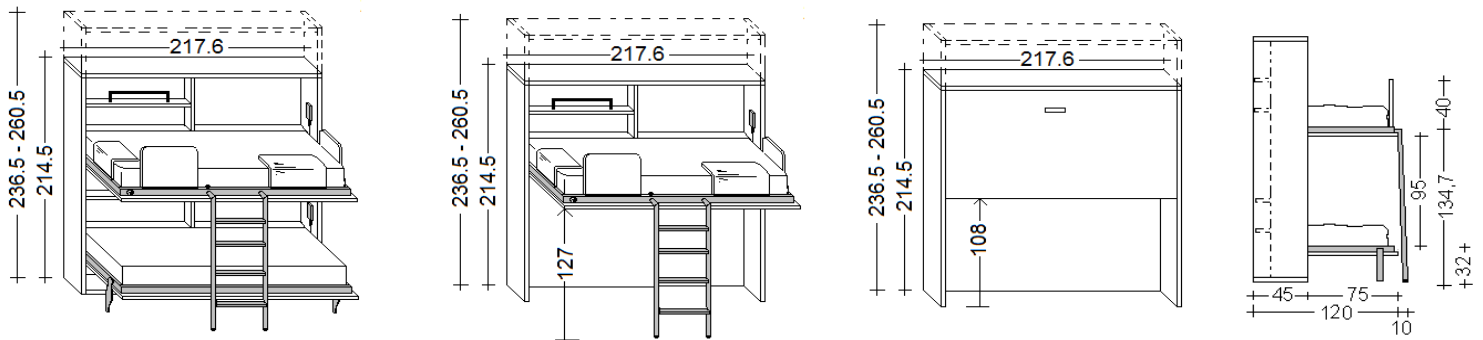
There is laso the "easy bed system" on the upper bed to make the bed easier.

OPTIONAL: Led lights - Mattress - Folding headboards - Desk Voilà or Wing

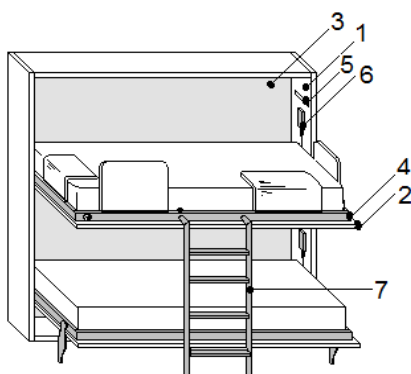
DEPTH cm. 35



DEPTH cm. 45,5



TECHNICAL INFORMATIONS



1 - Frame

Panel of wood agglomerate in conformity with CARB II, veneered with laminate, wood or lacquered colours.

Thickness mm.38 - Sides of the frame have adjustable feet.

2 - Frontals

Panel of wood agglomerate in conformity with CARB II, veneered with laminate, wood or lacquered colours. Thickness mm.22

3 - Back panel

Panel of wood agglomerate in conformity with CARB II, veneered with laminate, wood or lacquered colours. Thickness mm.22

4 - Slatted bed base

Slatted bed base made of wood, with elastics stripe that help the distribution of the weight. The tubular iron frame is painted with a oven anti-rust epoxy paint.

5 - Led light

Dimmable Led Light with touch switch or wireless remote

6 - Pistons cover

Plastic or metal cover for the pistons

7 - Ladder

Metal painted, with rettangular steps and angled for more comfort.

Mattress

Availability of any type. The recommended dimensions are cm.90x200x18h.

Internal shelves

*only for the version Depth 45,5 cm

WARNING

**Before the bed opening is mandatory fix it to the wall with specific wall bolt.

The fixing at plasterboard wall cannot guarantee the safety.

**The installer has to check the installation and the wall fixing before leave the bed to the customer use.

We suggest also to check the fixing to the wall regularly.

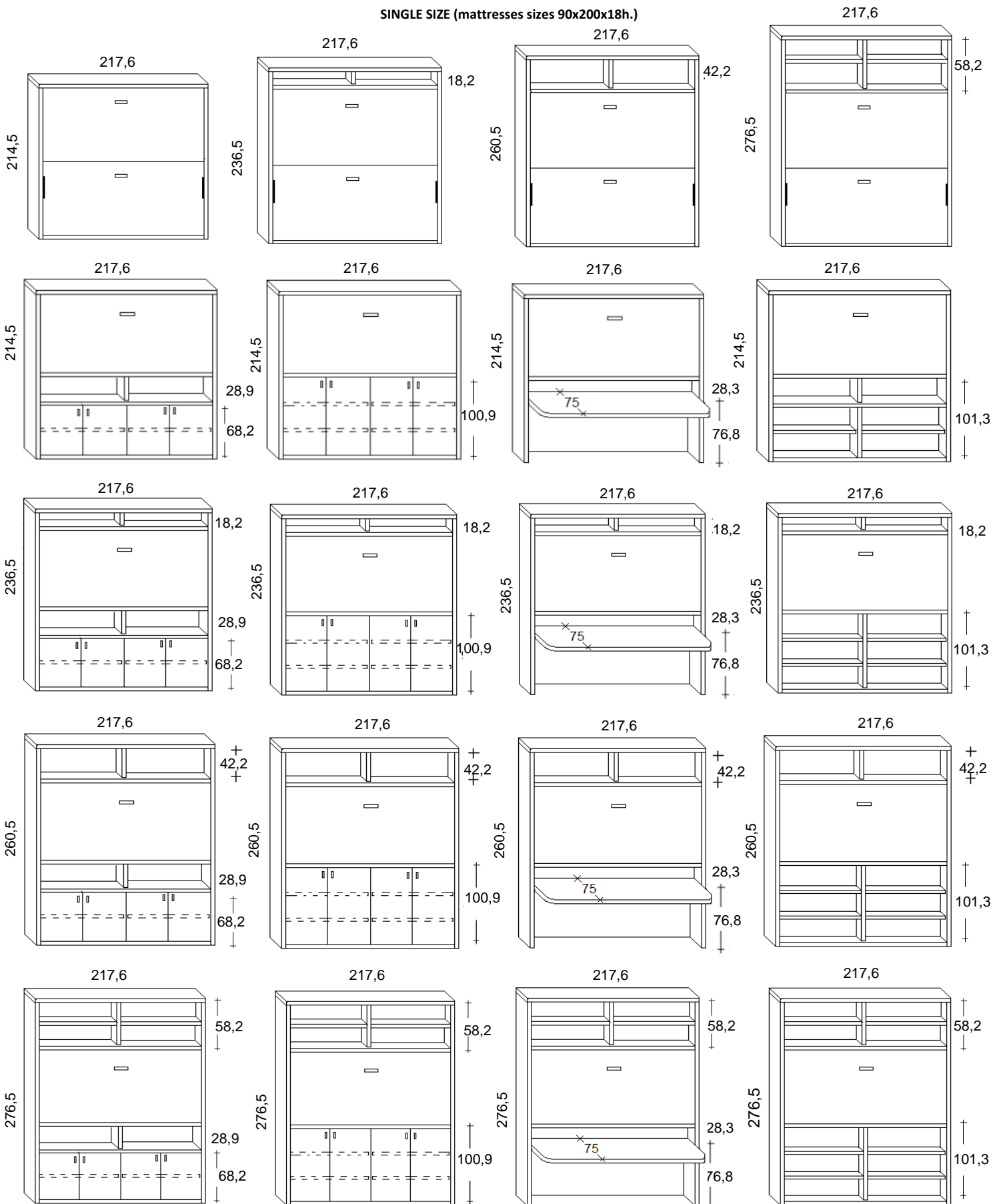
**Max capacity of the bed is kg. 200

**Assembly instructions are provided with the delivery.

FLAP BUNK BED OPTIONS

DEPTH 35 CM.

SINGLE SIZE (mattresses sizes 90x200x18h.)



DEPTH 45,5 CM.
SINGLE SIZE (mattresses sizes 90x200x18h.)

